

### Features

- Includes lever handle, single-function showerhead, shower arm and flange, valve trim, and nondiverter bathtub spout with NPT or slip-fit connection.
- Single lever handle allows for simultaneous on/off activation and temperature setting.
- Rite-Temp® pressure-balancing technology maintains water temperature within +/- 3°F.
- High-temperature limit stop allows you to preset a comfortable maximum temperature to eliminate scalding.
- Integrated push-button diverter.
- 1.75 gpm (6.6 lpm) showerhead with Katalyst® air-induction technology.

### Material

- Premium material construction for durability and reliability.
- KOHLER finishes resist corrosion and tarnishing.

### Installation

- Trim only; requires K-11748-K or K-11748-KS Rite-Temp pressure-balancing valve (sold separately).

### Required Products/Accessories

K-11748 Series Rite-Temp® Valves

### Adapters, Rough-in and Extension Kits

1226074-\*

Range: 3-1/2" (89 mm) -  
4-1/4" (108 mm)



### Codes/Standards

ASME A112.18.1/CSA B125.1  
DOE - Energy Policy Act 1992  
EPA WaterSense®  
California Energy Commission (CEC)

### KOHLER® Faucet Lifetime Limited Warranty

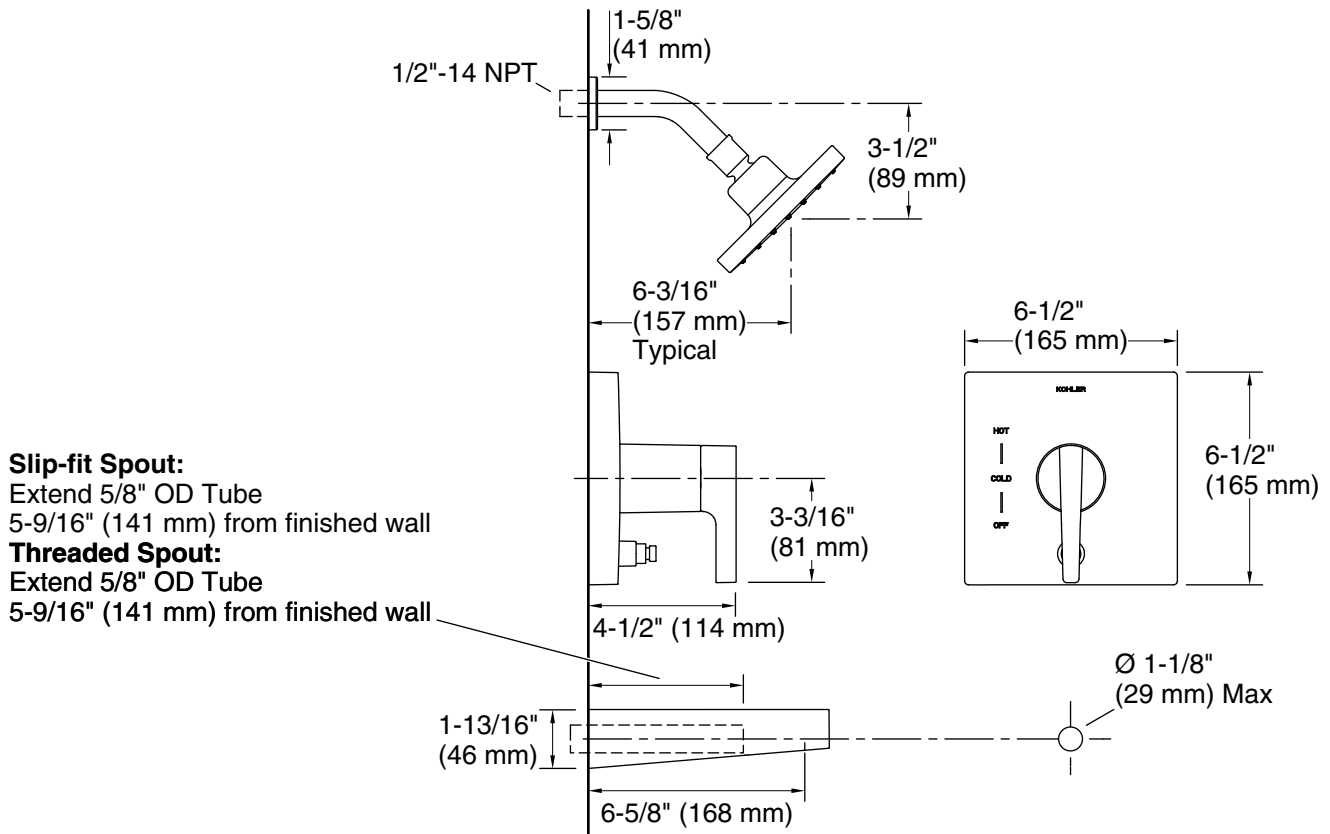
See website for detailed warranty information.

### Available Colors/Finishes

*Color tiles intended for reference only.*

Color	Code	Description
-------	------	-------------

	CP	Polished Chrome
---	----	-----------------



### Technical Information

All product dimensions are nominal.

Drain included: No

### Showerhead/Body Spray:

Rated maximum flow: 1.75 gal/min (6.6 l/min)

Pressure: 80 psi (5.5 bar)

### Notes

For use with automatic compensating valves rated at 1.6 gal/min (6.1 l/min) or less.

Install this product according to the installation instructions.

Install straight pipe or tube drop of 7" (178 mm) to 18" (457 mm) with single elbow between the valve and the wall-mount spout.